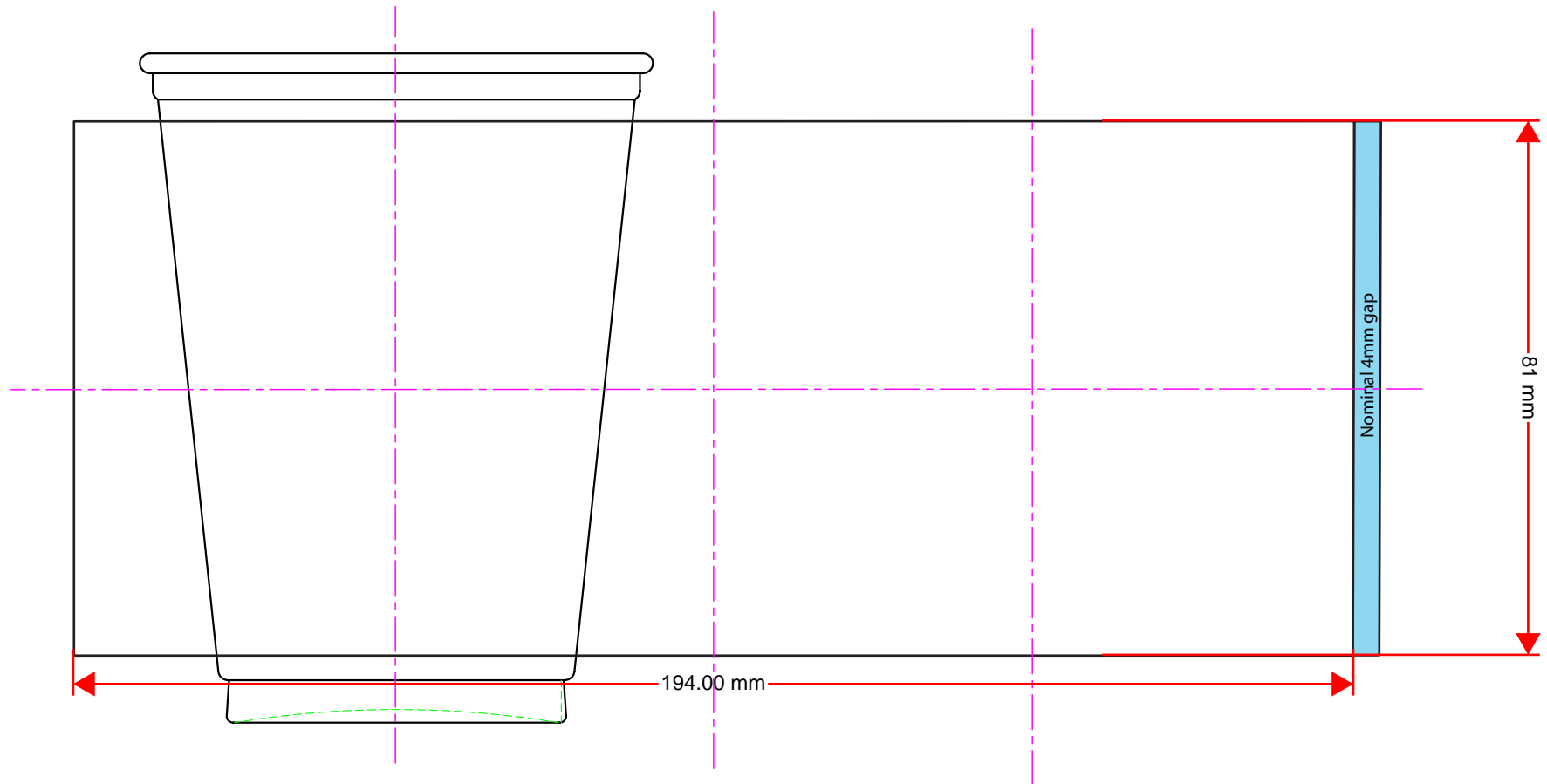


TP10 print area



This print area does not allow for butt or overlap of print.